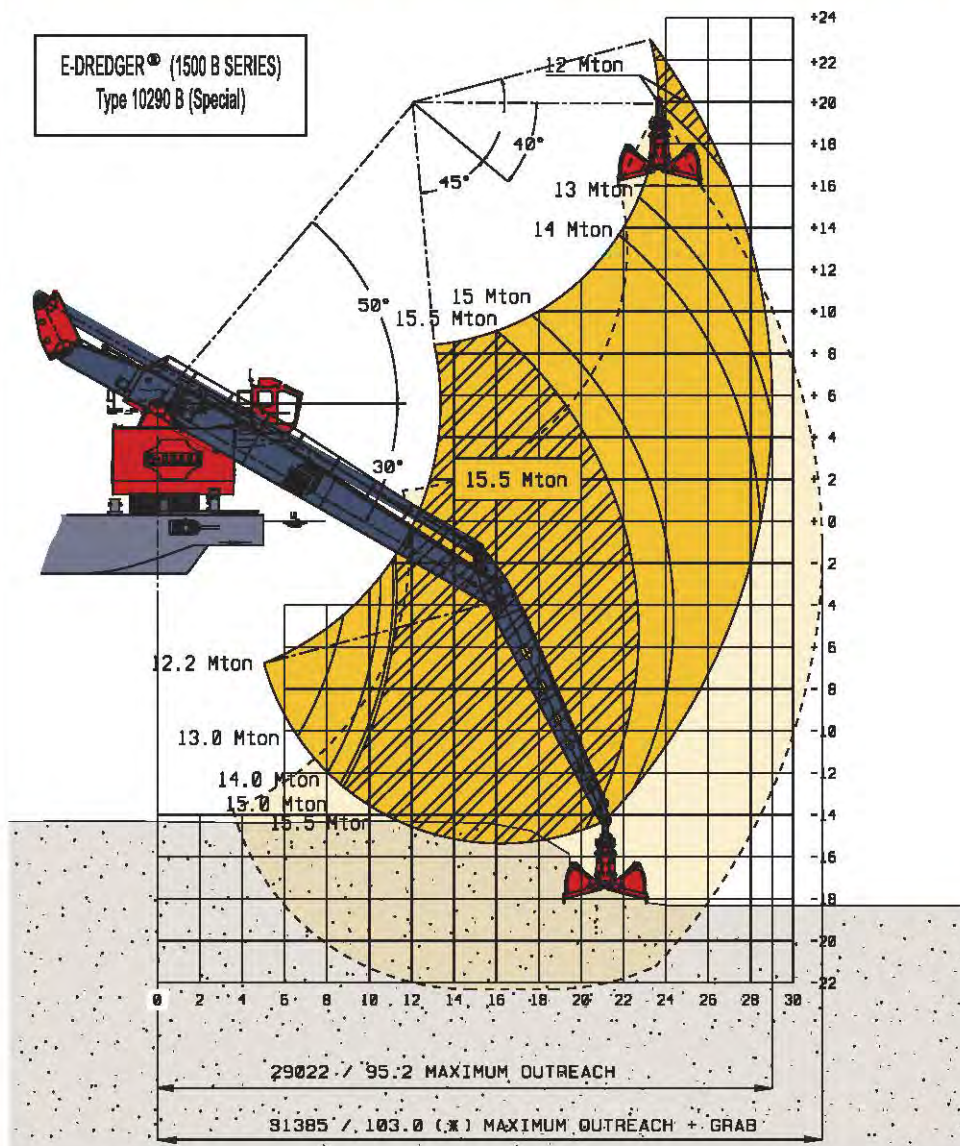
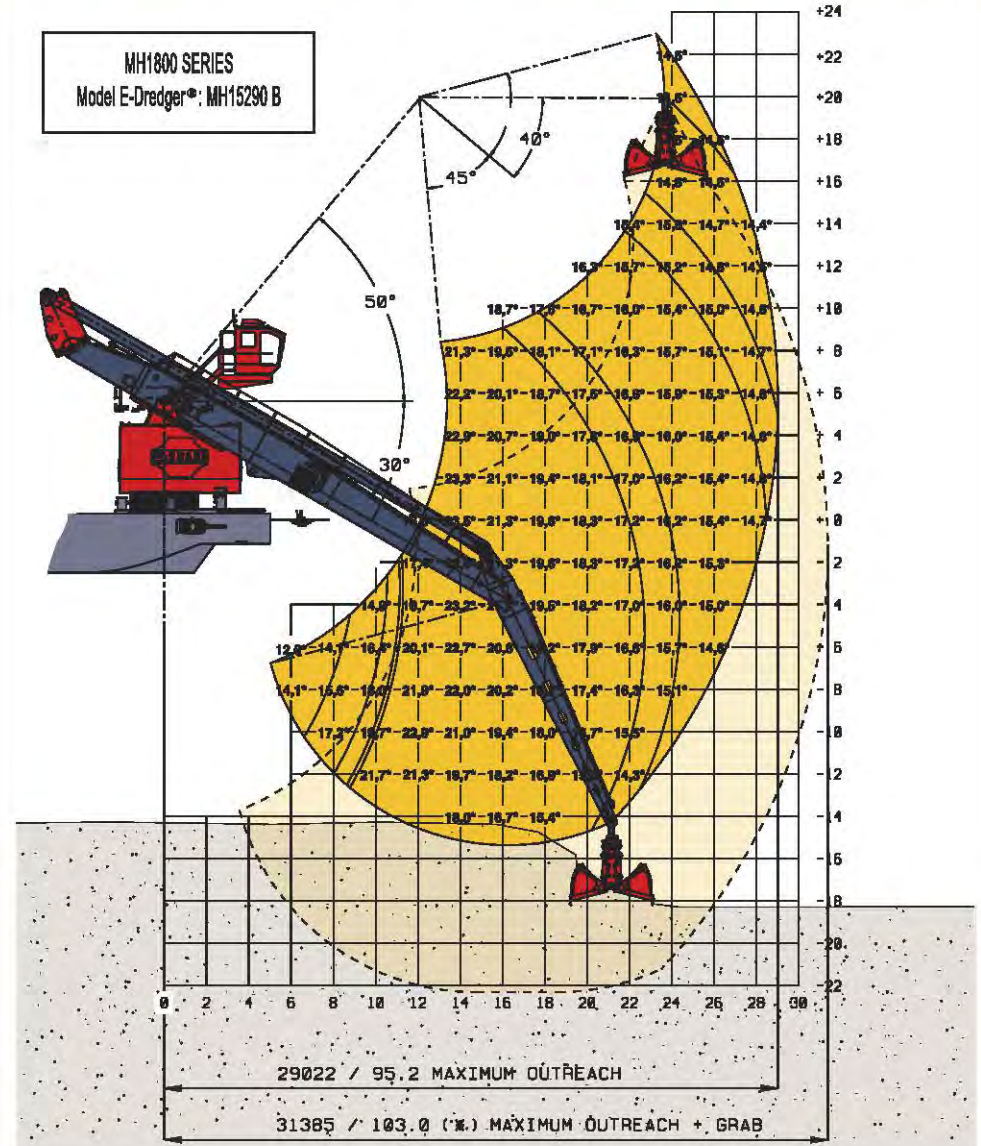


# E-DREDGER MODE CAPACITIES



Capacities acc. to NBN-EN372018: 00 - DIN15019: B0H3 - FEM.1.001: A0

# MATERIAL HANDLER CAPACITIES



Capacities acc. to ISO10587:2007

E-Crane International USA Inc.  
1332 Fresse Works Place, Galion OH 44833  
USA, +1 (419) 468 0090  
[www.ecrane-usa.com](http://www.ecrane-usa.com)

Indusign N.V. / E-Crane Worldwide  
Koekoeklaan 53, 9991 Adegem  
Belgium, +32 (0)9 378 0444  
[www.indusign.be](http://www.indusign.be)

E-Crane International Europe B.V.  
Argon 15G, 4751 XC Oud Gastel  
The Netherlands, +31 (0)165 320 100  
[www.ecrane.eu](http://www.ecrane.eu)